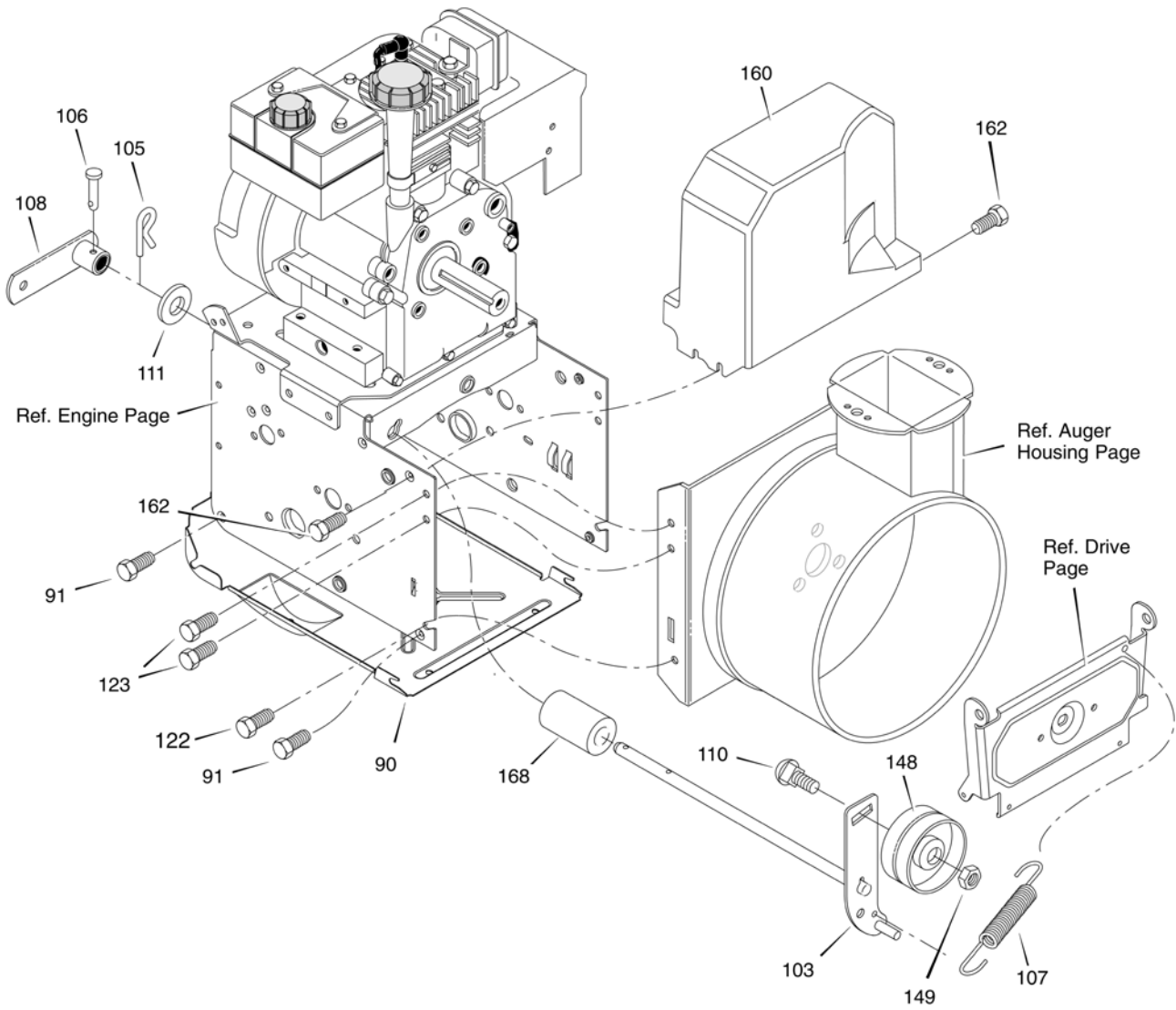


# ***Parts List*** - Model 96194000300



<b>Key No.</b>	<b>Part No.</b>	<b>Description</b>
90	198573X479	COVER, BOTTOM
91	198574	SCREW, 1/4-20X .63
103	406364X008	IDLER ASSEMBLY, AUGER
105	198576	PIN, HAIR .38DIA X 1.64LG
106	198580	PIN, CLEVIS 3/16" DIA
107	198577	SPRING, TENSION
108	405484	ASSY., SPRING ATTACH
110	198762	BOLT, 3/8-16 X 1.25 CARR.
111	198578	WASHER, FLAT
122	150078	SCREW, TAP 5/16-18 X .75
123	198584	SCREW, TAP 5/16-18 X .50
148	198561	PULLEY, IDLER
149	198562	NUT, JAM 3/8-16
160	401350X428	COVER, BELT
162	405024	SCREW, TAP
168	198581	SPACER, AUGER BRACKET

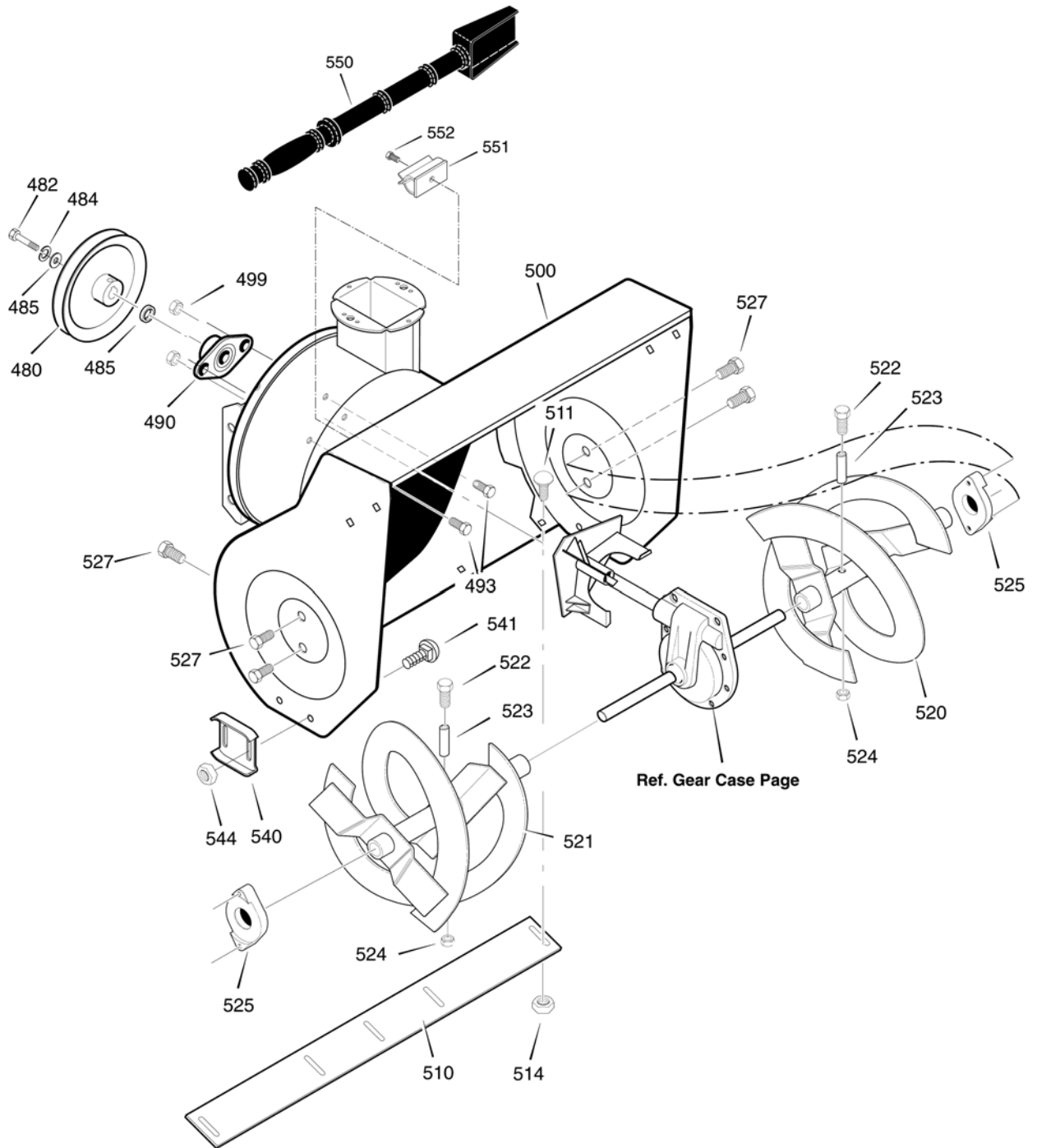


Key No.	Part No.	Description
200	198600X008	LF AXLE, SWING PLATE YZ
201	198588	CHAIN, ROLLER #420x19.00
203	198591	BEARING AND RETAINER, ASSY
204	198592	WASHER
206	198584	SCREW, TAP 5/16-18x0.5
207	405541	ASSY, HEX SHAFT
208	198596	CHAIN, ROLLER #420x18.00 LG
210	198819	BEARING, TRUNION CLUTCH R
212	198820	WHEEL, FRICTION DISC
213	198822	BOLT
215	73800400	NUT, KEPS HEX 1/4-20
217	405538	RING, RETEXT
218	198592	WASHER
220	198591	BEARING AND RETAINER, ASSY
221	25x020	SCREW, TAP 5/16-18 x .5
223	198808	FRICTION PULLY
225	198792X008	LF PLATE, SWINGING YZ
226	198650	SPACER, FRICTION PULLEY
227	73040600	NUT, FLANGE LOCK 3/8-24
229	198545	RETAINER, RING
230	405543X008	ASSEMBLY, SPRING LINK STEERABLE
232	198945	RETAINER, RING
233	198592	WASHER
234	198597	SPRING, EXTENSION
236	198598	SPROCKET SET 33T/7
238	198599	WASHER, FLAT
239	405568	BEARING, BALL
240	405567	RETAINER, BEARING
241	405554	AXLE, LEFT

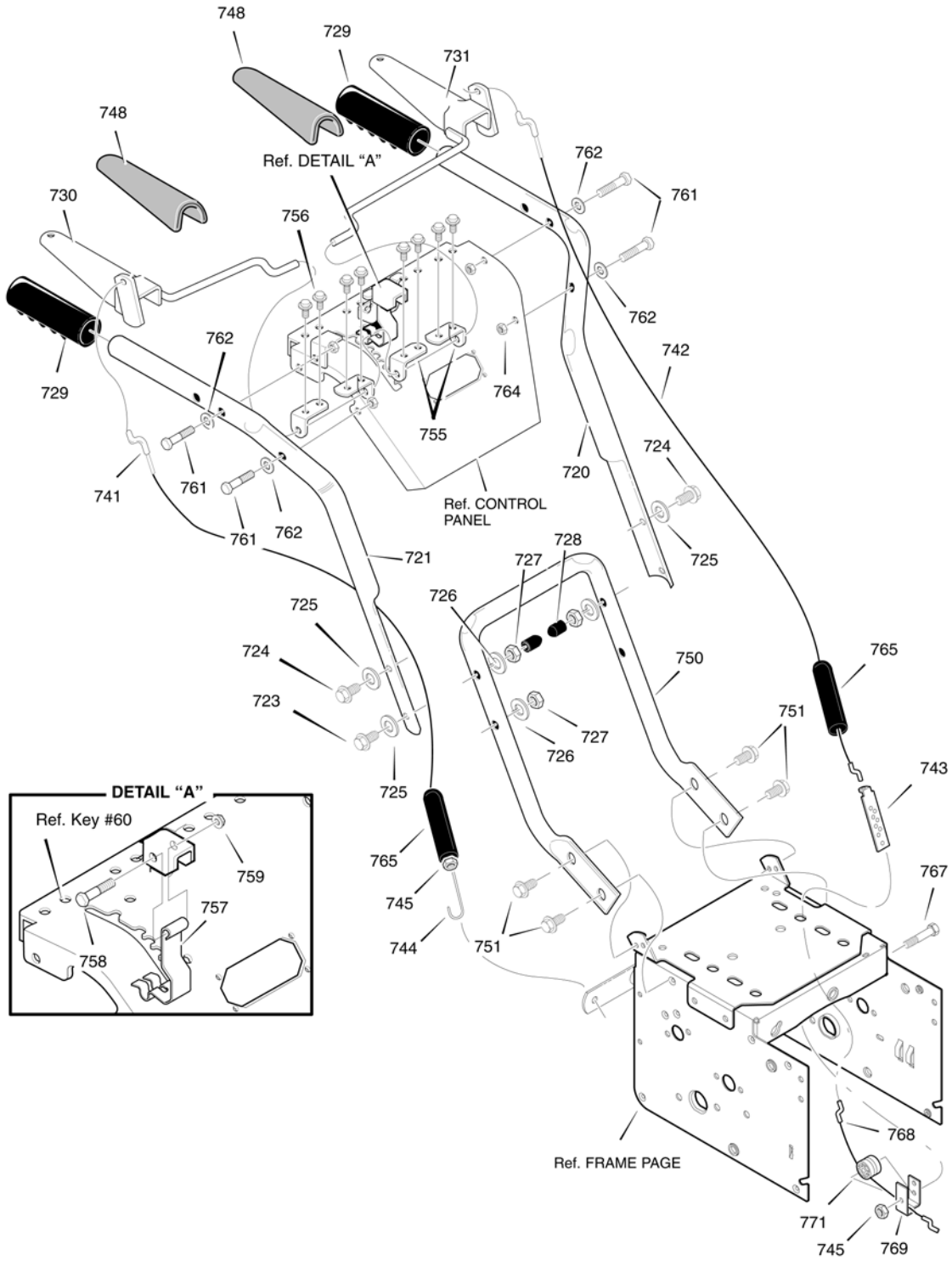
# MODEL NO. 96194000300

# REPAIR PARTS

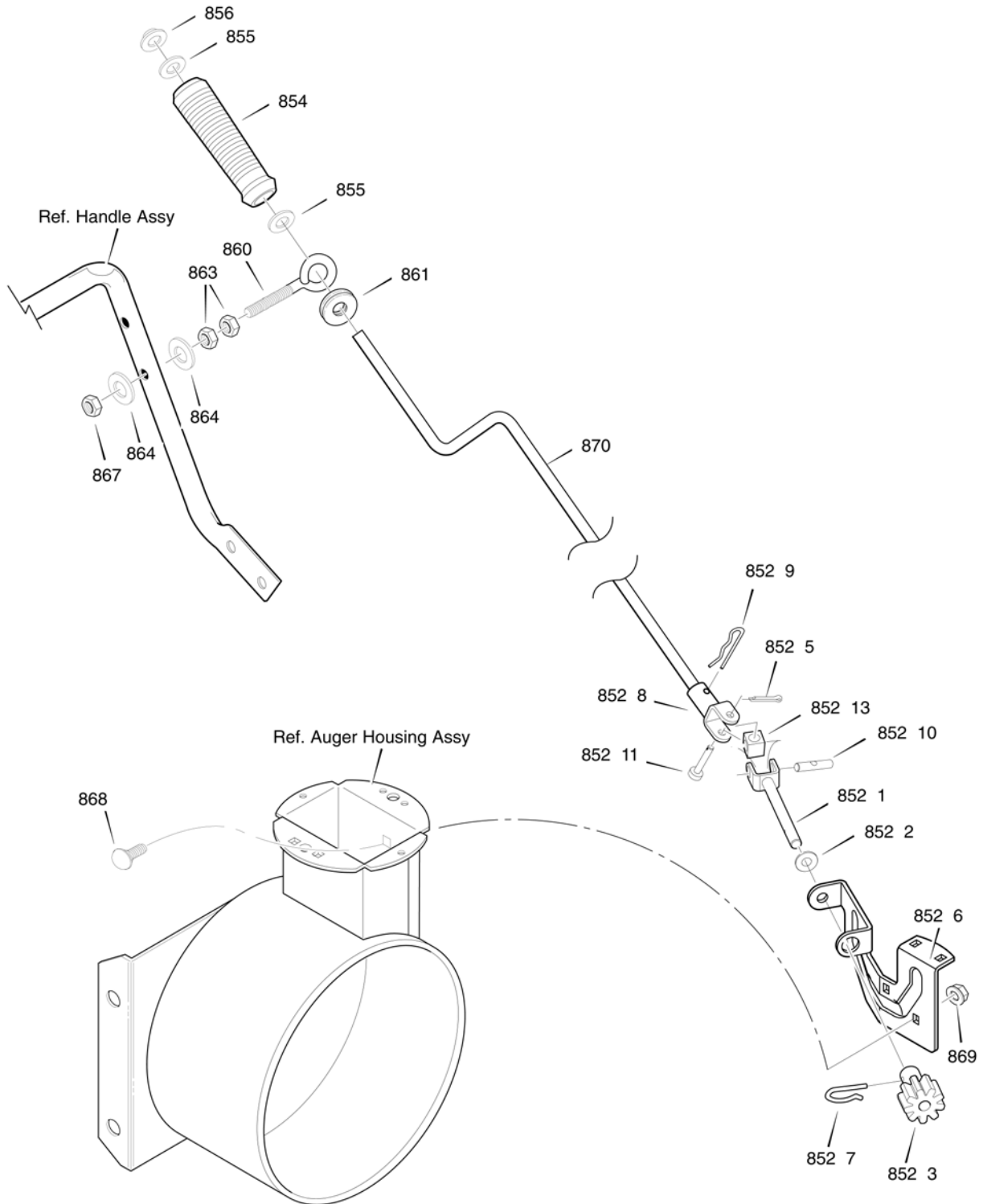
243	405558	AXLE AND BUSHING, RIGHT
244	405562	SPROCKET
245	405561	CLUTCH, AUTO LOCK
246	405563	SCREW
249	198680	BEARING, AXLE
250	405564X008	BRACKET, AXLE SUPPORT
251	150078	SCREW
252	405565	COLLAR, LOCKING
253	405566	WASHER
255	405570X008	BRACKET, SUPPORT
256	198574	SCREW
258	405569	BOLT
260	83923	NUT



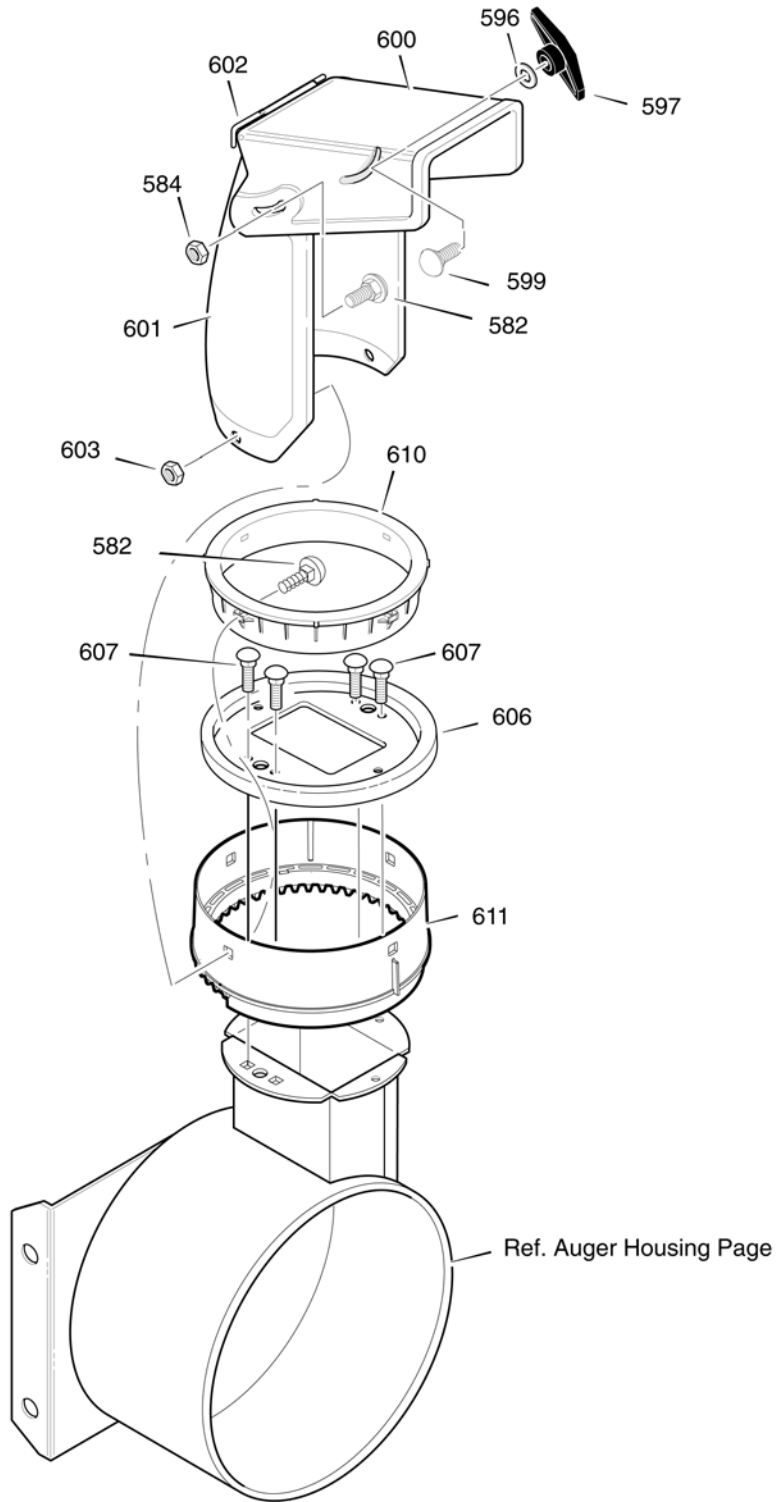
<b>Key No.</b>	<b>Part No.</b>	<b>Description</b>
480	405010	PULLEY, 4L 8.40 OD
482	75950512	SCREW 5/16-18 X 3/4
484	198552	WASHER
485	1501158	WASHER .343 X .937
490	188909	RETAINER, BALL BRNG
493	199879	BOLT, HEX 5/16-18 X .50
499	198541	NUT, 5/16-18 HEXWDFLLK
500	405685X428	HOUSING, ASSY
510	405778X479	BLADE, SCRAPER
511	72270505	BOLT, 5/16-18X.75
514	198541	NUT, 5/16-18
520	405642X417	AUGER, ASSY, LH
521	405643X417	AUGER, ASSY, RH
522	198636	SCREW, 1/4-20 X 1.75
523	198638	SPACER, SLEEVE
524	73800400	NUT, 1/4-20
525	405535	BEARING, FLANGE
527	179582	SCREW, 5/16-18X 1.00
528	198629	PLUG
540	406453X479	SKID, HEIGHT ADJUST
541	198648	BOLT, 5/16-18 X .75
544	198541	NUT, 5/16-18
550	192199	TOOL, CLEAN-OUT
551	405400	CLIP, CLEAN-OUT TOOL
552	194189	SCREW #13-16 X 5/8



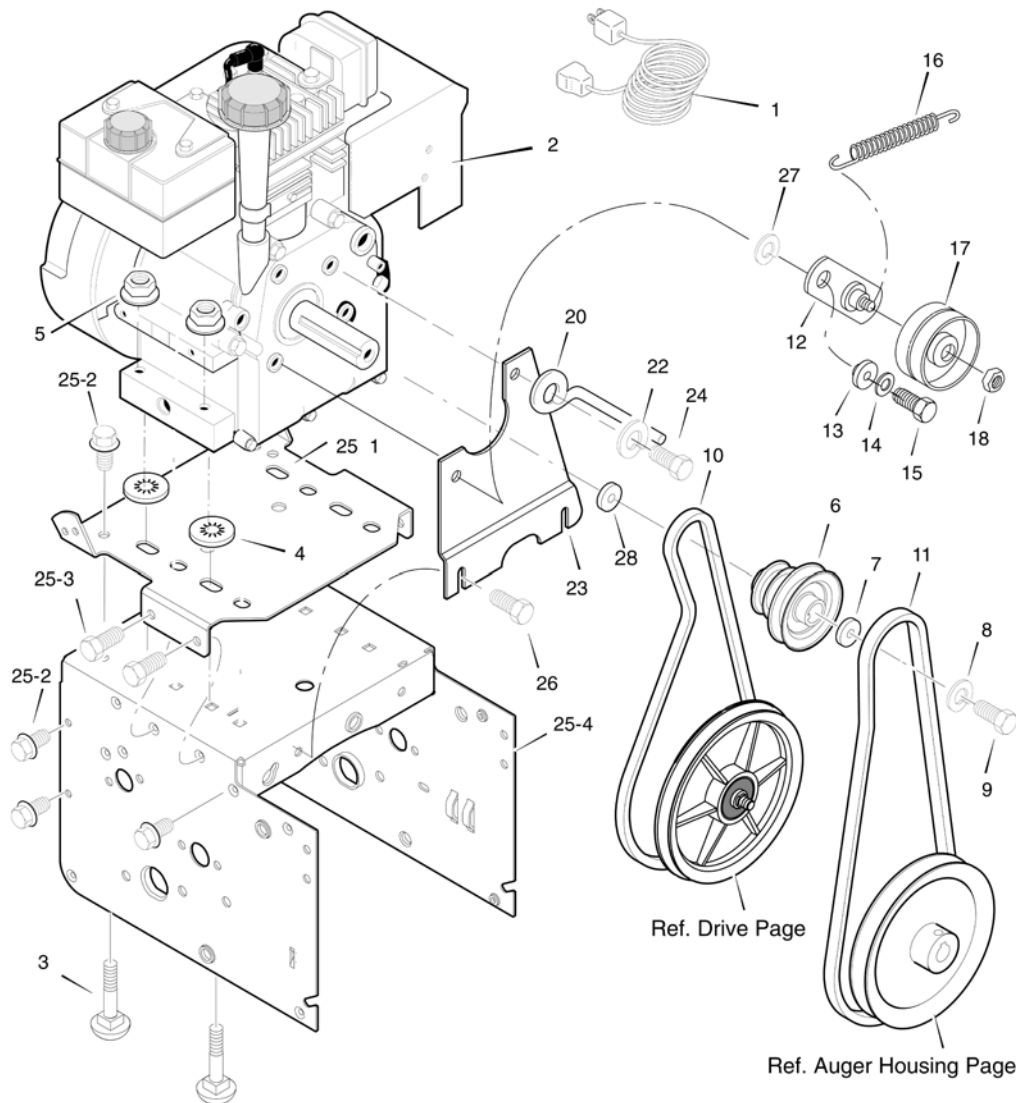
Key No.	Part No.	Description
720	405577X479	HANDLE, UPPER LH
721	405576X479	HANDLE, UPPER RH
723	401334	SCREW
724	401329	SCREW
725	198733	WASHER, FLAT
726	850263	WASHER
727	401331	NUT, REGHEX
728	401332	STOP, PLASTIC
729	407171	GRIP-HANDLE
730	405794X479	LEVER, ASSY CLUTCH DRIVE RH
731	405795X479	LEVER, ASSY CLUTCH DRIVE LH
741	400050	CABLE, AUGER CLUTCH
742	405609	CABLE, AUGER DRIVE
743	198692	BRACKET, CABLE ADJUSTER
744	198690	SPRING, AUGER CLUTCH
745	173800400	NUT, 1/4-20
748	406444	GRIP, CLUTCH HANDLE
750	405545X479	HANDLE, LOWER
751	150078	SCREW
755	405798X004	BRKT, ROD
756	406613	SCREW
757	406614	SPRING, CAM LOCK
758	406615	BOLT, HEX
759	73800500	NUT
761	401335	SCREW
762	198662	WASHER, FLAT
764	198541	NUT, HEX
765	198670	BOOT, CLUTCH SPRING
767	198673	BOLT, HEX 1/4-20 X 1.50
768	1406164	CABLE, LOWER DRIVE 12"
769	198677X004	BRACKET, CABLE SPOOL YZ
771	198678	SPOOL-CABLE, AUGRT CLUTCH



<b>Key No.</b>	<b>Part No.</b>	<b>Description</b>
852-1	198853	ASSEMBLY, YOKE & ROD
852-2	198861	SPRING
852-3	198862	GEAR, CHUTE ROTATION 9T
852-5	400192	PIN, COTTER
852-6	405339	BRACKET, GEAR MOUNT
852-7	198863	PIN, HAIR
852-8	198188	ASSEMBLY, YOKE ADAPTER YZ
852-9	198576	PIN, HAIR
852-10	198878	PIN, UNIVERSAL JOINT
852-11	198860	PIN, CLEVIS
852-13	198570	BLOCK, PIVOT
854	198836X428	KNOB, SLEEVE
855	198837	FLATWASHER
856	198839	NUT, PUSH ON 3/8"
860	198869	EYE BOLT 3/8-16X6.50
861	198841	GROMMET, EYE BOLT
863	198845	NUT, 3/8-16 HEXJAM
864	198733	FLATWASHER .406X.81X.066
867	73800600	NUT, 3/8-16 HEXNYL
868	198729	BOLT, CARRIAGE 1/4-20 X 1.00
869	73800400	NUT, 1/4-20
870	198848	CRANK, ASSY CHUTE

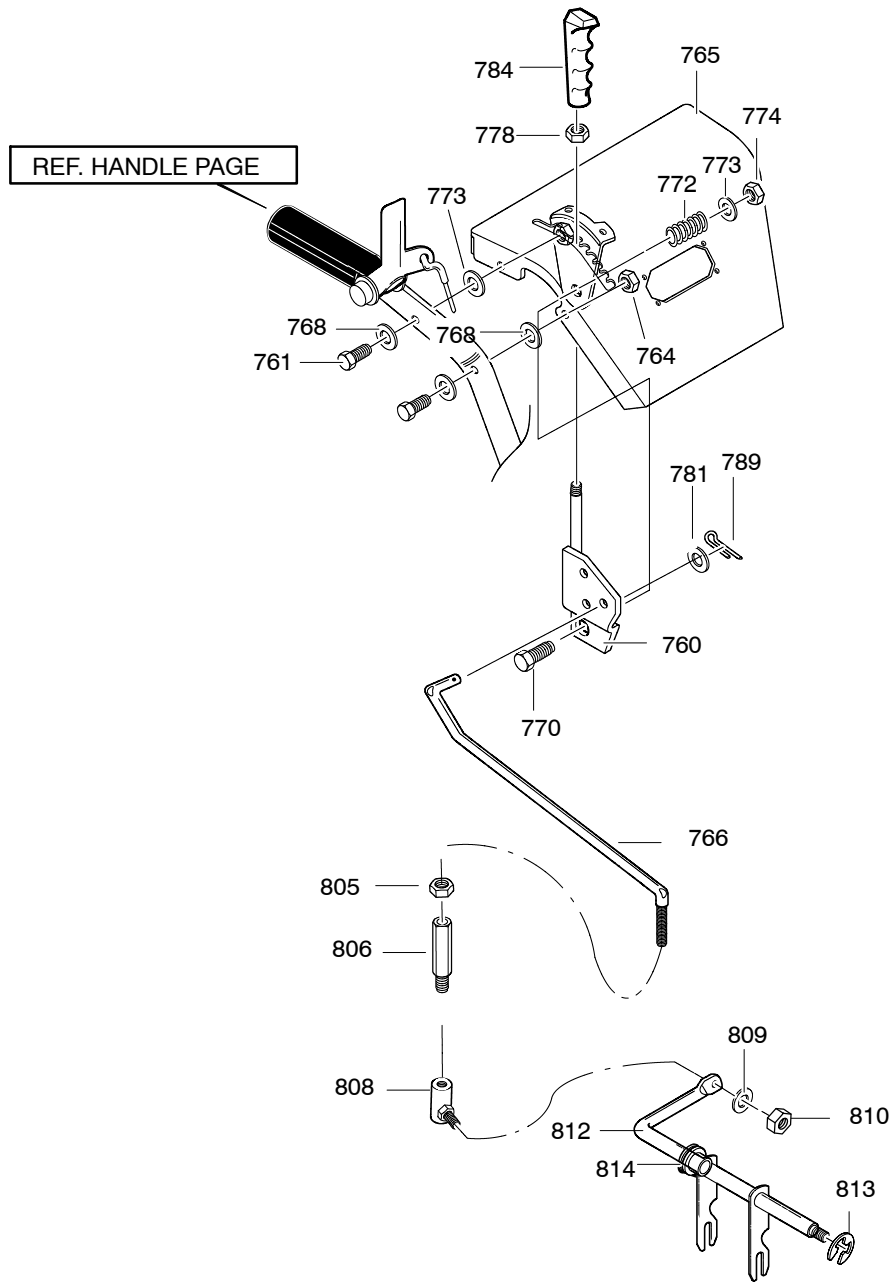


<b>Key No.</b>	<b>Part No.</b>	<b>Description</b>
582	198661	BOLT, 5/16-18 X 1.00 CARG.
584	751153	NUT, 5/16-18 NYLOCK
596	198662	WASHER
597	198851	KNOB, WING 3.00
599	198539	BOLT, 5/16-18 X 1.25
600	198842	CHUTE, UPPER
601	198844	CHUTE, LOWER
602	198846	WIRE, HINGE
603	751153	NUT, 5/16-18
606	198850	CHUTE COLLAR
607	405024	SCREW, 1/4-20 X .75
610	198831	RETAINER, RING INNER
611	198833	RETAINER, RING OUTER



Key No.	Part No.	Description
1	198563	CORD, STARTER
2	*	ENGINE *
3	198539	BOLT, CARRIAGE 5/16-18
4	198540	RETAINER, PUSH
5	198541	NUT, HEX 5/16-18
6	198542	PULLEY, ENGINE
7	400026	WASHER
8	850263	WASHER, LOCK 3/8
9	851054	SCREW, 3/8-24X1.00
10	198546	BELT, DRIVE V 3L
11	198548	BELT, AUGER V 4L
12	198558X008	BRACKET ASSEMBLY, IDLER
13	198559	BUSHING, IDLER BRACKET
14	10040500	WASHER, SPLIT
15	198554	SCREW 5/16-24 X .75

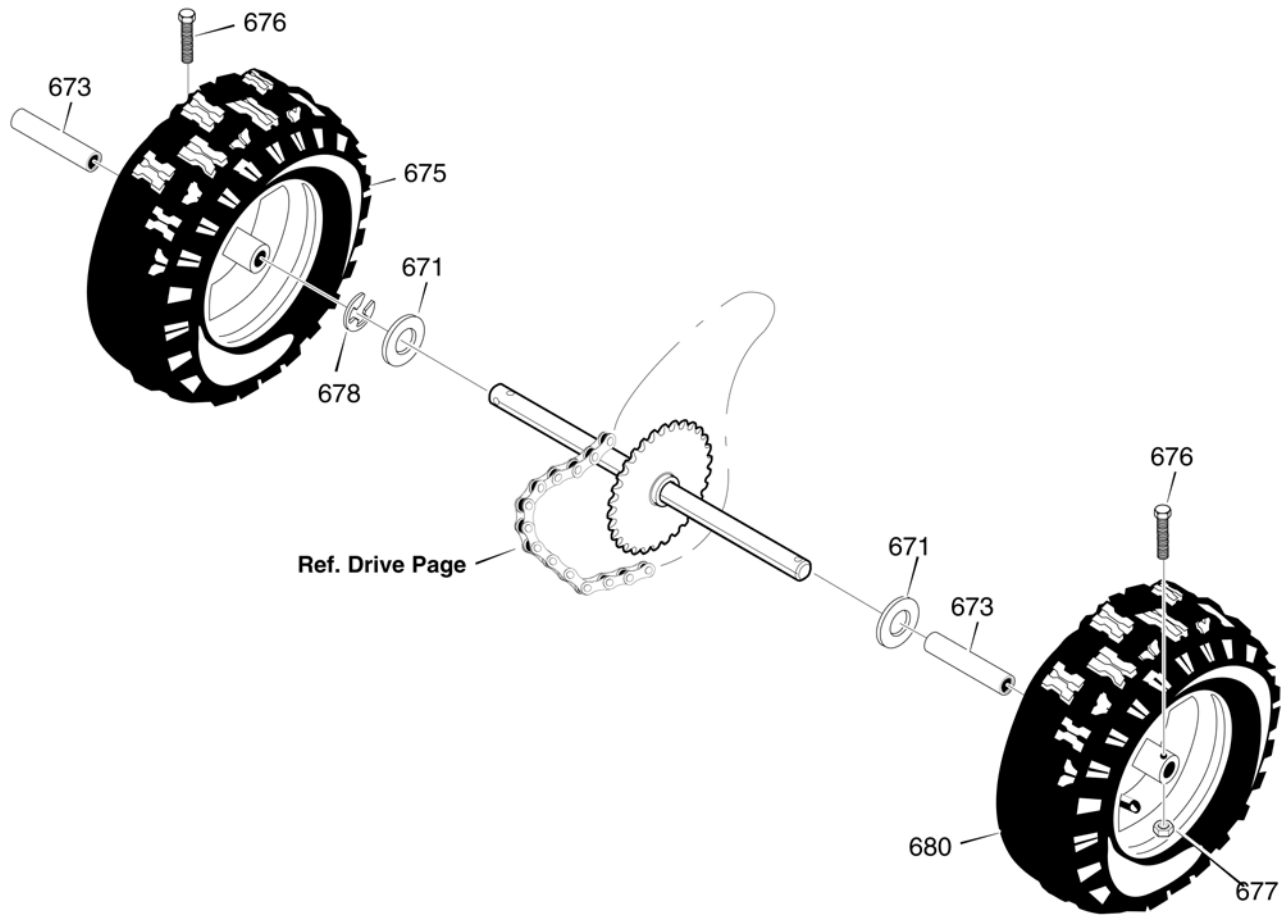
Key No.	Part No.	Description
16	198556	SPRING, IDLER TRACTION DRIVE
17	198561	PULLEY, IDLER
18	198562	NUT, JAM 3/8-16
20	198555	GUIDE, BELT
22	10040500	WASHER, SPTLK .31X.58X.08
23	198549X008	PLATE, ANTI VIBRATION
24	198554	SCREW, 5/16-24X 1.00
25-1	198784X428	PLATE, ENGINE MOUNT
25-2	198574	SCREW, TAP 1/4-20 X .63
25-3	198584	SCREW, TAP 5/16-18 X .50
25-4	405539X428	FRAME, MOTOR BOX
26	405024	SCREW
27	198552	WASHER
28	407452	SPACER, ENGINE PULLEY
--	96194000300	OPERATOR'S MANUAL ENG/SP



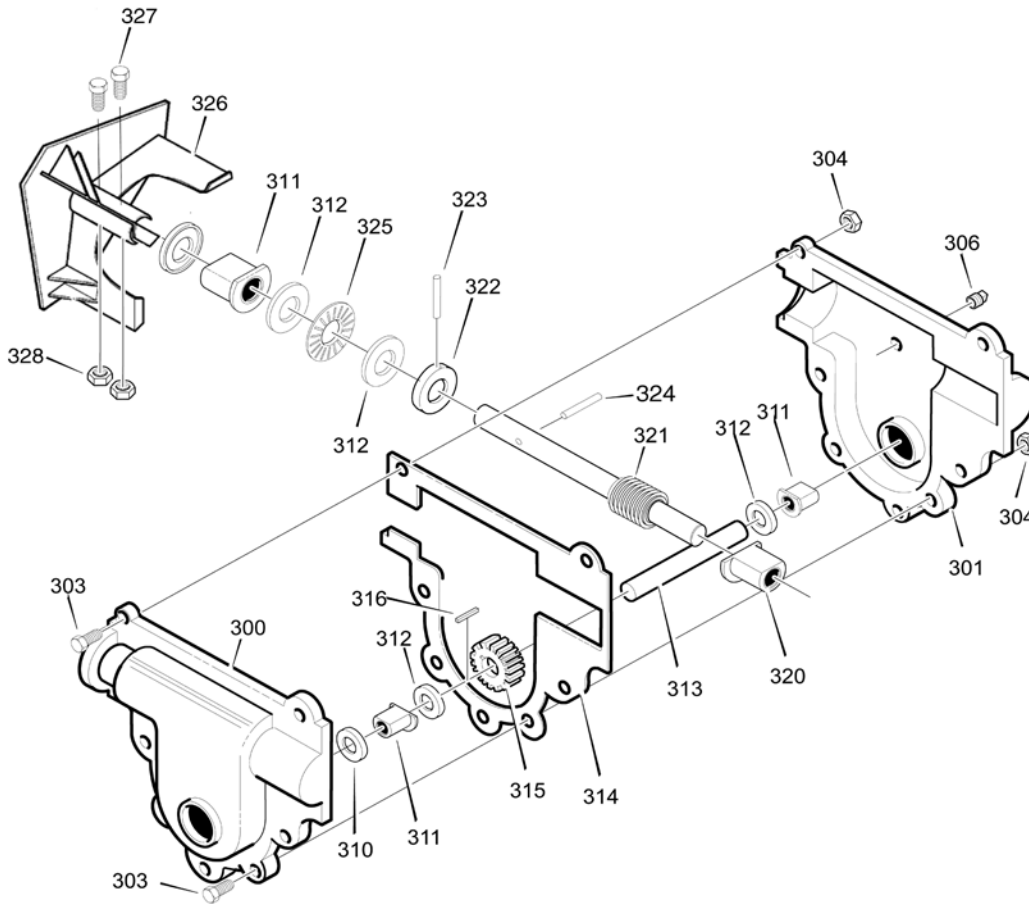
Key No.	Part No.	Description
760	405594X008	HANDLE ASSY SPD CTRL
765	407107X428	ASSY. BAY PANEL - LT
766	406650	ROD, SPEED CONTROL
770	401334	SCREW 3/8-16X2.00
772	401337	SPRING
774	83923	NUT, 3/8-16
778	198845	NUT, 3/8-16
781	198662	FLATWASHER
784	405579	GRIP, HANDLE
789	65322	HAIR PIN

Key No.	Part No.	Description
805	401356	NUT, 5/16-18
806	405600	ADAPTER, SPEED ROD -YZ
808	405601	BALLJOINT, STEEL -YZ
809	198552	WASHER
810	401356	NUT, 5/16-18
812	1401303X008	ROD, ASSY YOKE
813	198945	RING, RETAINER
814	198731	BEARING, FLANGE
815	198592	WASHER

<b>Key No.</b>	<b>Part No.</b>	<b>Description</b>
620	405589	CASE, HEADLIGHT
621	406471	HEADLIGHT ASSY
622	406470	WIRE, HARNESS
625	66426	CABLE TIE
626	405590	BRACKET, HEADLAMP
627	405593	SCREW



Key No.	Part No.	Description
671	400025	FLATWASHER
673	198669	BUSHING, WHEEL
675	404517X417	TIRE & RIM, RIGHT
676	198674	SCREW, 1/4-20 X1.75 HH
677	73800400	NUT, 1/4-20 HEX NYLOCK
678	198675	RING, RET
680	404516X417	TIRE & RIM, LEFT



Key No.	Part No.	Description	Key No.	Part No.	Description
300	404965	CASE, GEAR, RH	316	404952	KEY, WOODRUFF
301	404964	CASE, GEAR, LH	320	404961	BEARING, FL
303	404954	SCREW, 1/4-20 x 0.75	321	404949	SHAFT, INPUT
304	404955	LOCKNUT, 1/4-20	322	404956	COLLAR, THRUST
306	86447	PLUG	323	404957	PIN, SPRING 1/4 x 1.00
310	404959	SEAL, OIL	324	7836M	PIN, ROLL 3/16 x 1.125
311	404960	BEARING, FL	325	174684	BRNG, ROLL
312	404953	WASHER, FLAT	326	175321X479	IMPELLER
313	404946	SHAFT, OUTPUT	327	74780426	BOLT, 1/4-20 x 0.625
314	404950	GASKET	328	73800400	NUT, 1/4-20
315	404962	GEAR, WORM	--	405016	10oz GREASE
			*	404945	GEARBOX, COMPLETE